



Indoor Lighting – PSH Series

PSH Series provides natural light at low cost, with solid and safe features. Design and performance outstrip existing industrial lighting

Key Benefits of PLS System

Excellent Quality of Light

High color rendering capacity, Excellent color reproduction through natural light, Comfortable visual recognition

World's First

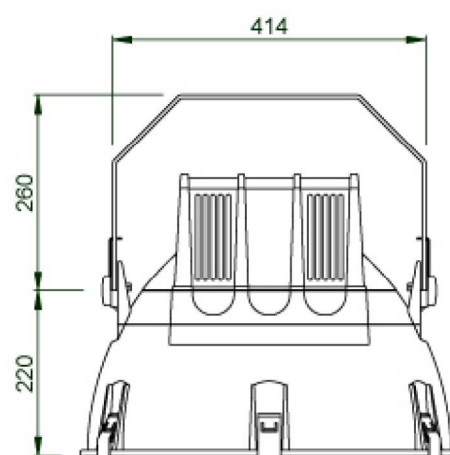
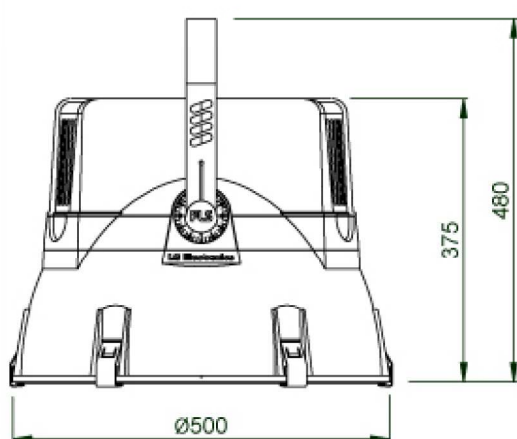
World's first 100% ECO-Friendly high voltage product, providing beneficial lighting environment

Economical Lighting

Outstanding lumen maintenance, high luminous flux and uniformity of light distribution offers long-term economical efficiency

Dimension

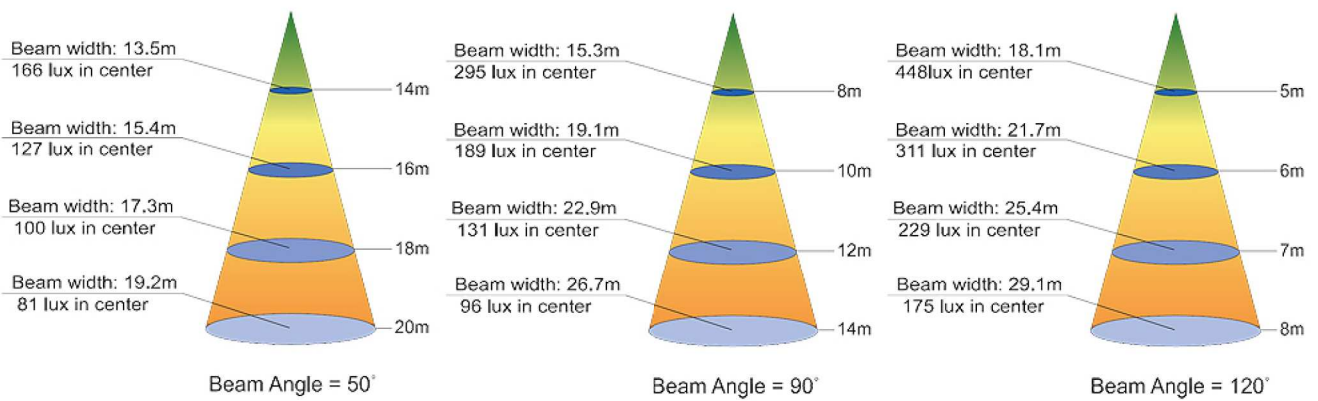
unit: mm



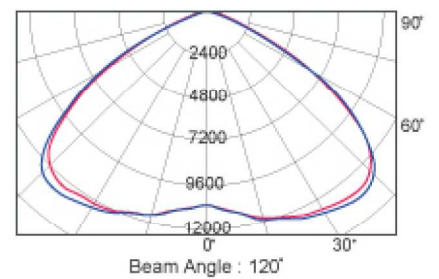
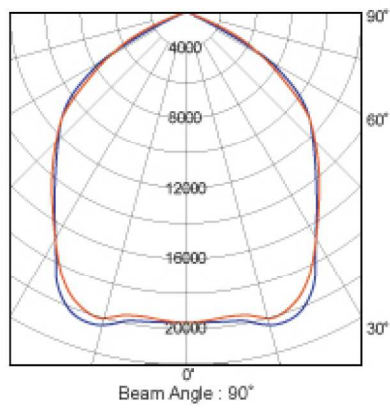
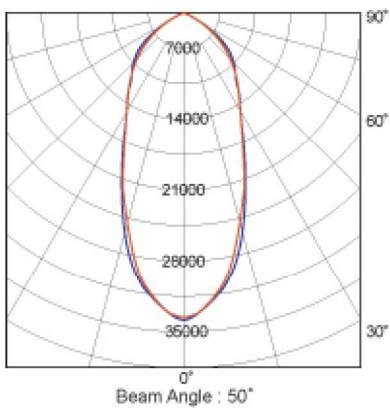
Specification

Power Consumption	730W
Lumen	58,500 lm (7,500K)
Color Rendering Index	80 Ra
Color Temperature	4500K, 6500K, 7500K
Beam Angle	50°, 90°, 120°
Rate Voltage	220V/50, 60Hz
Weight	19kg *Ballast Included
Eco-Design	Hg-free, Lead-free

Cone Lux Levels



Photometrics



This indoor lighting system, PSH Series, is applicable to various environments such as workplaces and production plants.

It is also applicable for Industrial sites and public facilities, such as indoor sports stadiums, shopping malls, canopies, large halls and cafeterias.

